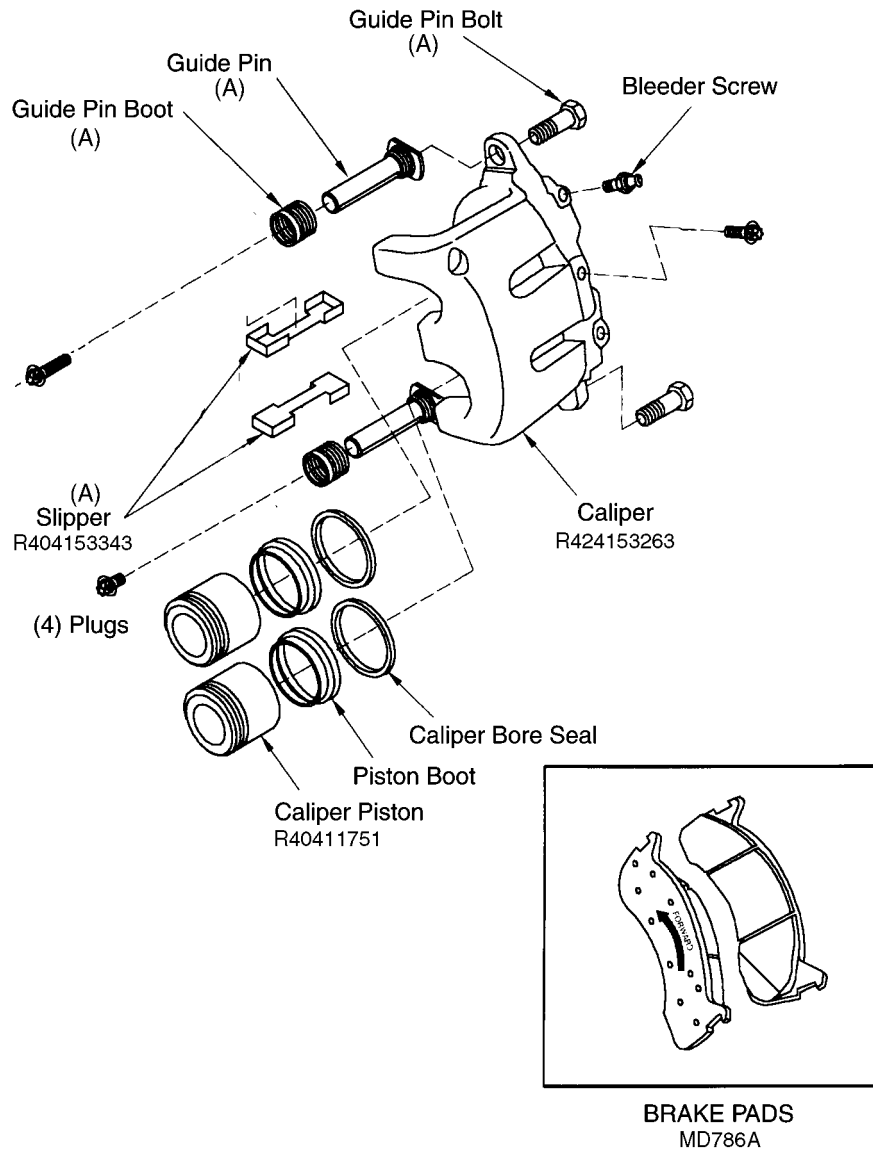


# BOSCH HYDRAULIC DISC BRAKE




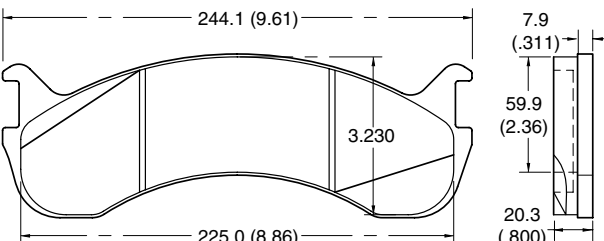
## Pin Slide Disc Brake Components (66MM)



3 - DISC BRAKE

A	Contained in Guide Pin Kit R4011754
---	-------------------------------------

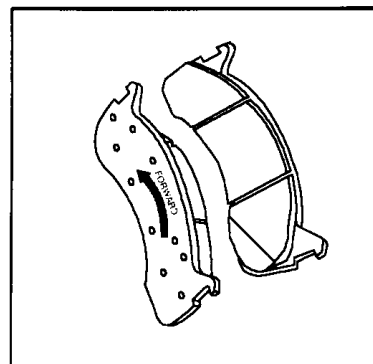
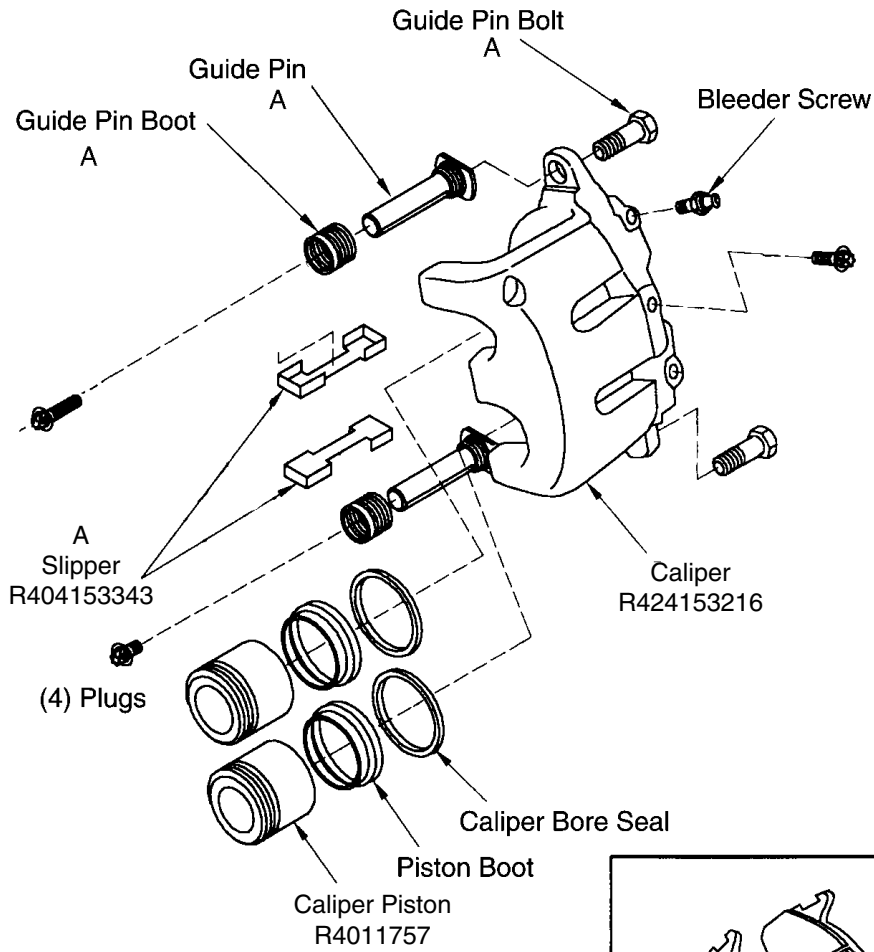
# BOSCH HYDRAULIC DISC BRAKE

<p><b>GUIDE PIN KIT</b> Services One Wheel</p> 	<p><b>MERITOR NO.</b></p>	<p><b>REPLACES</b></p>
<p><b>BOOT AND SEAL KIT</b></p> 	<p><b>R4011754</b></p>	<p>Bosch 2 BX4153343 Slippers 2 BX4153232 Guide Pin Boot 2 BX4153231 Guide Pin 2 BX4153235 Guide Pin Bolt</p>
<p><b>CALIPER PISTON</b></p>  <p>66MM Dia. (not actual Piston shown)</p>	<p><b>R4011751</b> (66MM)</p>	<p>Bosch BX4153264 (Piston)</p>
<p><b>D786 OUTER AND INNER BRAKE PAD</b></p> 	<p><b>MM786A</b> <b>MD786A</b> <b>MVD786A</b></p>	<p>KIT D786A FMSI 7654D786 Thin Set</p> <p>ITEC 2501842C91</p>

3 - DISC BRAKE

# BOSCH HYDRAULIC DISC BRAKE

## Pin Slide Disc Brake Components (73MM)







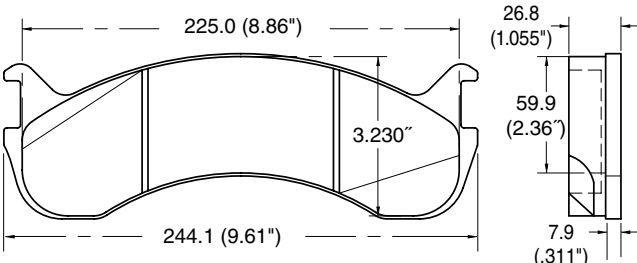
BRAKE PADS  
MD786A

3 - DISC BRAKE

A

Contained in Guide Pin  
Kit R4011754

# BOSCH HYDRAULIC DISC BRAKE

	MERITOR NO.	REPLACES
<p data-bbox="407 163 605 212"><b>GUIDE PIN KIT</b> Services One Wheel</p> 	<p data-bbox="894 254 1008 279"><b>R4011754</b></p>	<p data-bbox="1117 241 1479 359">                     Bosch                      2 BX4153343 Slippers                      2 BX4153232 Guide Pin Boot                      2 BX4153231 Guide Pin                      2 BX4153235 Guide Pin Bolt                 </p>
<p data-bbox="396 611 617 636"><b>BOOT AND SEAL KIT</b></p> 	<p data-bbox="883 415 1024 441"><b>R404153343</b></p>	<p data-bbox="1133 420 1430 468">                     Bosch                      4 BX4153343 Slippers                 </p>
<p data-bbox="415 1131 597 1157"><b>CALIPER PISTON</b></p>  <p data-bbox="201 1581 305 1606">73MM Dia.</p> <p data-bbox="558 1581 797 1606">(not actual Piston shown)</p>	<p data-bbox="883 842 997 898"><b>R4011758</b> (73MM)</p>	<p data-bbox="1133 846 1398 898">                     Bosch BX22338679 (Seal)                      BX4153219 (Boot)                 </p>
<p data-bbox="415 1131 597 1157"><b>CALIPER PISTON</b></p>  <p data-bbox="201 1581 305 1606">73MM Dia.</p> <p data-bbox="558 1581 797 1606">(not actual Piston shown)</p>	<p data-bbox="883 1350 997 1407"><b>R4011757</b> (73MM)</p>	<p data-bbox="1133 1350 1406 1375">Bosch BX4153217 (Piston)</p>
<p data-bbox="201 1640 318 1682"><b>D786</b></p> <p data-bbox="370 1629 704 1654"><b>OUTER AND INNER BRAKE PAD</b></p> 	<p data-bbox="883 1713 984 1801"><b>MMD786</b> <b>MD786</b> <b>MVD786</b></p>	<p data-bbox="1133 1749 1292 1801">                     KIT D786S                      FMSI 7655D786                 </p> <p data-bbox="1133 1843 1256 1896">                     ITEC                      2501841C91                 </p>

3 - DISC BRAKE